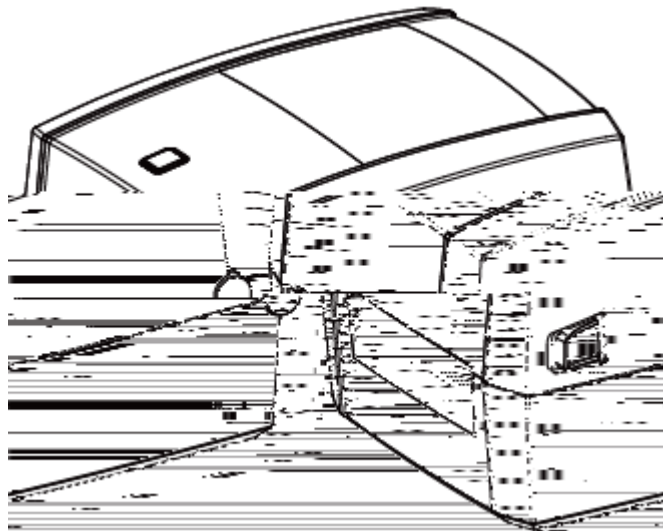

DL-888D/

DL-888T

内



| | | |
|-------|------------------|----|
| | | 1 |
| | | 2 |
| 1 | | 5 |
| 1.1 | | 5 |
| 1.2 | | 6 |
| 1.3 | | 7 |
| 2 | | 8 |
| 3 | | 10 |
| 3.1 | | 10 |
| 3.1.1 | | 10 |
| 3.1.2 | | 13 |
| 3.1.3 | | 15 |
| 3.1.4 | (DL-888T) | 16 |
| 3.2 | | 18 |
| 3.3 | | 19 |
| 3.4 | | 19 |
| 3.5 | | 20 |
| 3.6 | | 21 |
| 3.6.1 | / | 21 |
| 3.6.2 | | 21 |
| 3.6.3 | | 21 |
| 3.6.4 | | 22 |
| 4 | | 23 |
| 5 | | 24 |
| 5.1 | | 24 |
| 5.2 | | 24 |
| 1: | | 25 |

※

Windows

1.



2.



1

2

3

4

5



1

2

3

4

5

6

-
-
-
-
-

-
-
-
-

3.



4. WEEE ()



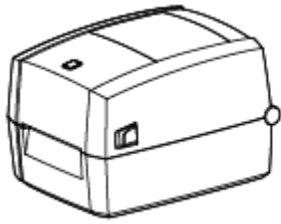
1

1.1

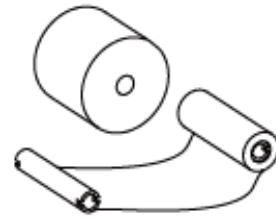


1

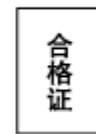
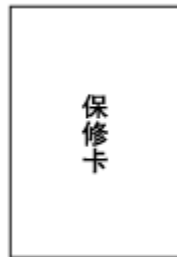
2



USB

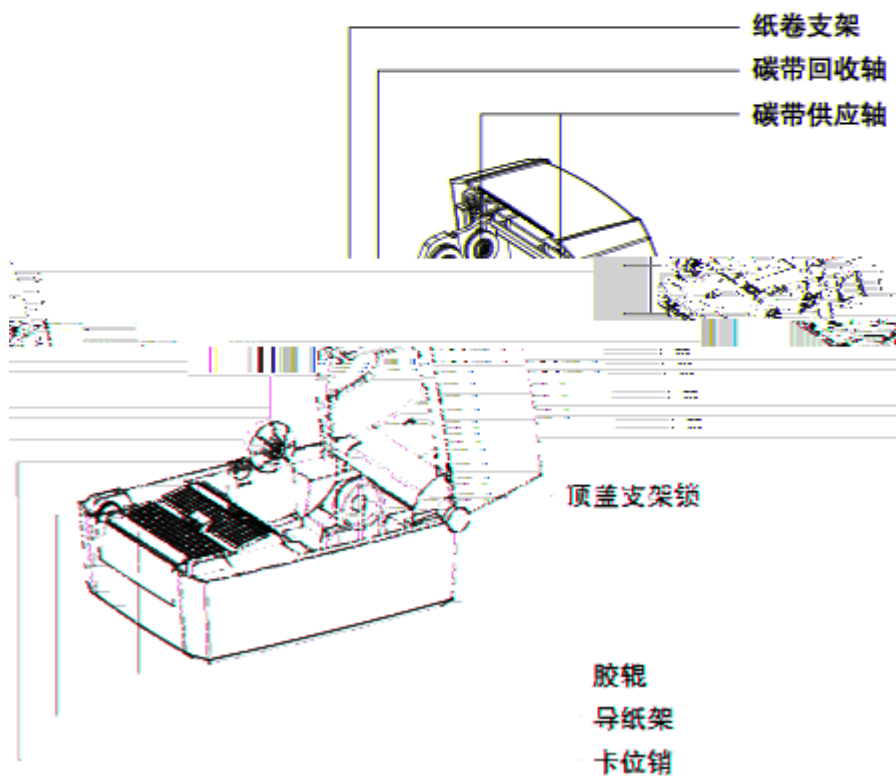
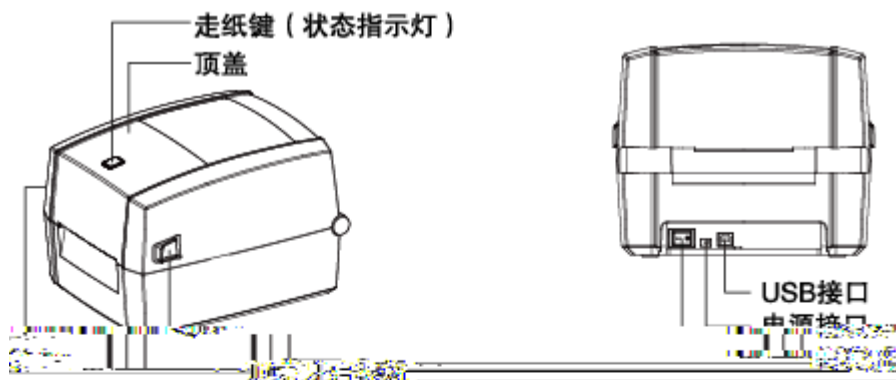


+
(DL-888T)

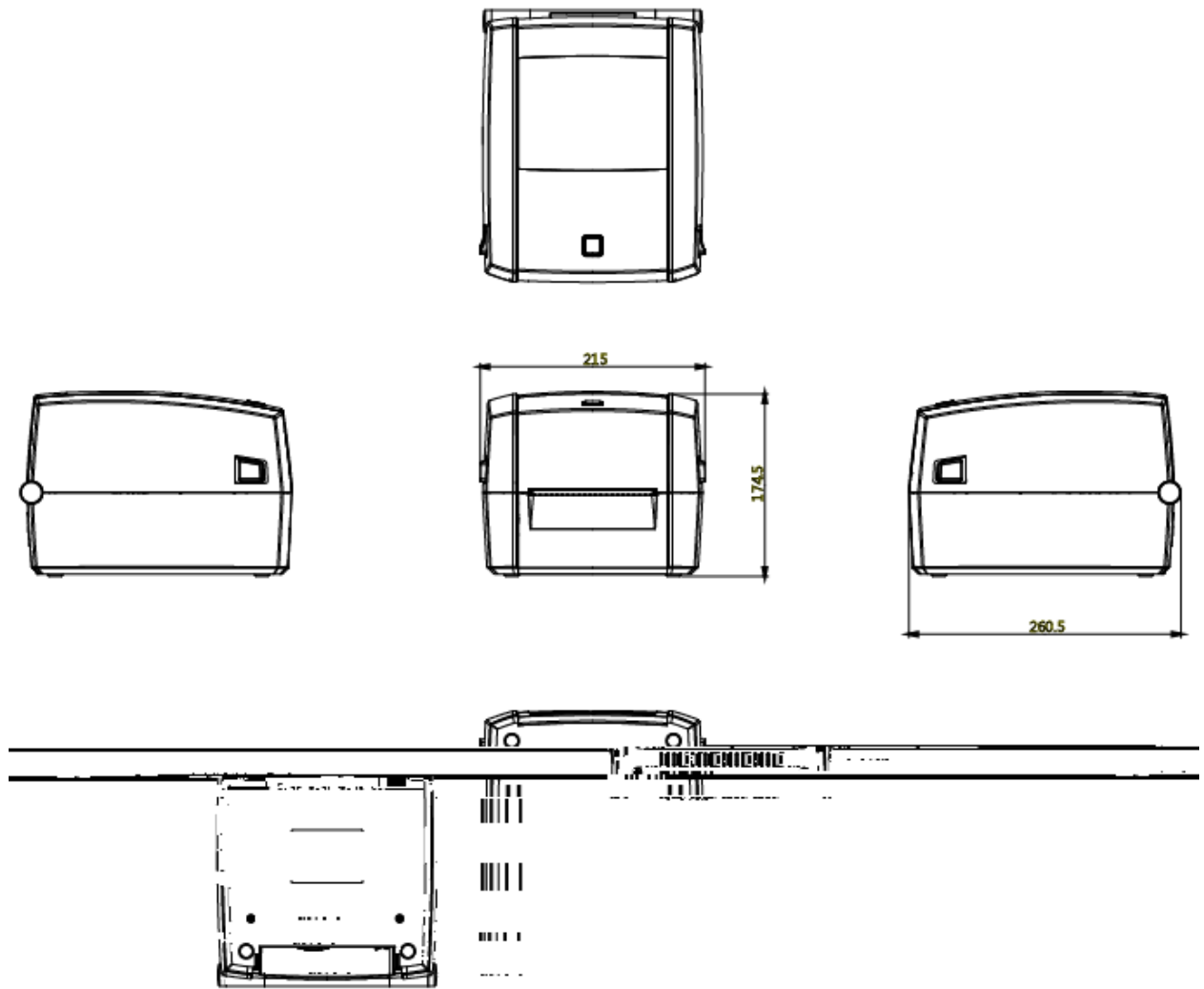


1-1

1.2



1.3



2

| | | |
|---------|-----|--------------------------------------------------------------------------------------------------------------------------------------------------------------------------------------------------------------------------|
| | | / |
| | | 203 / (8 /) |
| | | 102 / |
| | | 108 |
| | | 15 - 300 |
| | | 32 RISC CPU |
| | RAM | 2MB |
| | | 2MB |
| | | , , , , |
| | | 印 , |
| | | 0.79 (20) 4.65 (118) |
| | | 0.003 (80) 0.007 (180) |
| | 印 | 5 (127) |
| | 印 | 0.5 (25.4),1 (25.4),1.5 (38) |
| | | , , |
| | | 1.33 (33.8) 4.33 (110) |
| | | 328 (100) |
| | 印 | 0.5 (25.4) |
| | | TSPL |
| | | Bartender UltraLite |
| | | Windows 2000,XP,Vista7,8,10 |
| | | 6, 8, 12, 16, 32, OCR A & B. 90 , 180 , 270 10 |
| | | CG Triumvirate |
| | | DOS437,720,737,755,775,850,852,855,856,857,858,860,862,863,864,865,866, Windows1250,1251,1252,1253,1254,1255,1256,1257,1258 ISO8859-1,-2,-3,-4,-5,-6,-8,-9,-15 DBCS 932 (JIS), 936(GBK), 949 (Koran), 950(BIG5) |
| | | Code 39, Code 93, Code 128UCC, Code 128 subset A, B, C, Codabar, Interleave 2 of 5, EAN-8, EAN-13, EAN-128, UPC-A, UPC-E, EAN and UPC 2 (5) digits add-on, MSI, PLESSEY, POSTNET, RSS-Stacked, GS1 DataBar, Code 11 |
| | | PDF417, Maxicode, DataMatrix, QR Code, Aztec |
| | | USB |
| | | LED |
| | | 公 : 100-240 , 50/60 , : 24 /2 , 5 |
| | | 41 (5)-104 (40) 30%-85%,() |
| | | -4 (-20)-122 (50) 10%-90%() |
| (* *) | | 260.5*174.5*215 |
| | | 1.80 入 () |
| | | 8 印 |

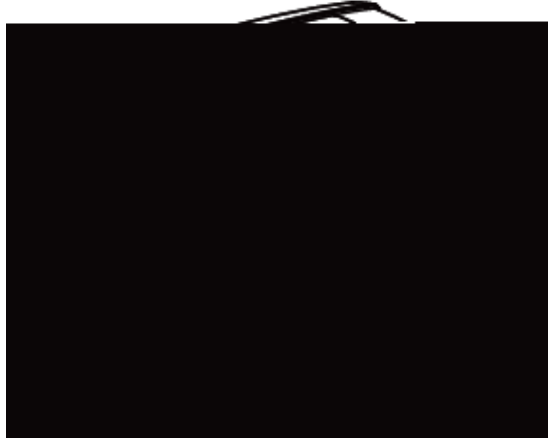
CCC,FCC,CE

3

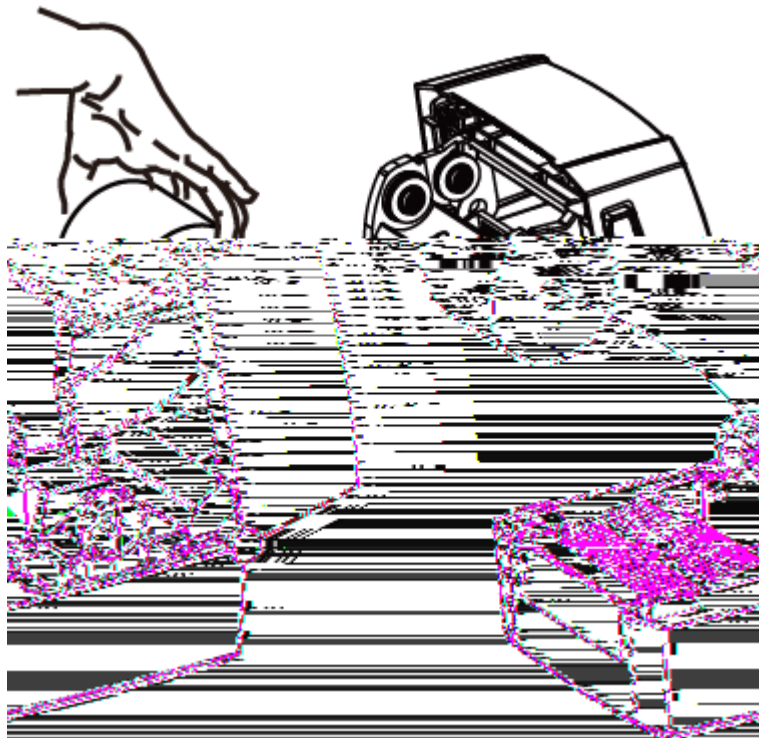
3.1

3.1.1

1.



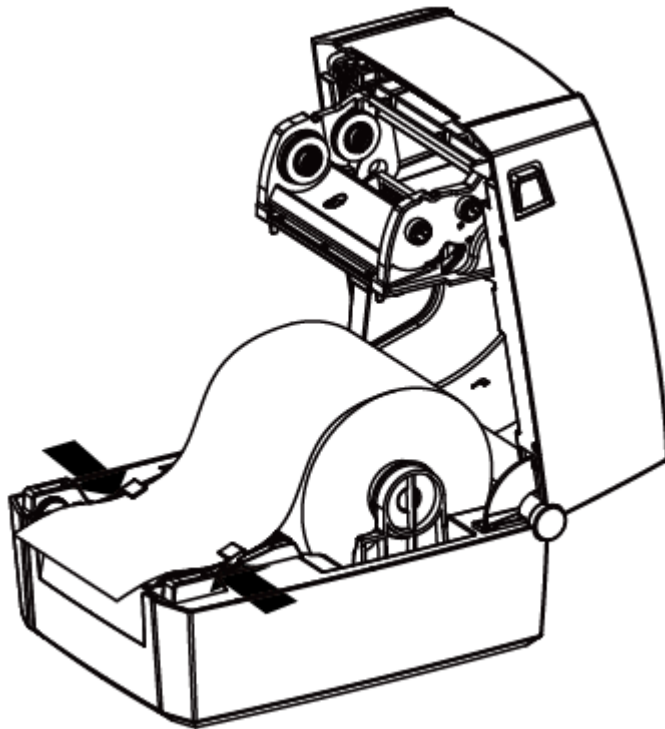
2.



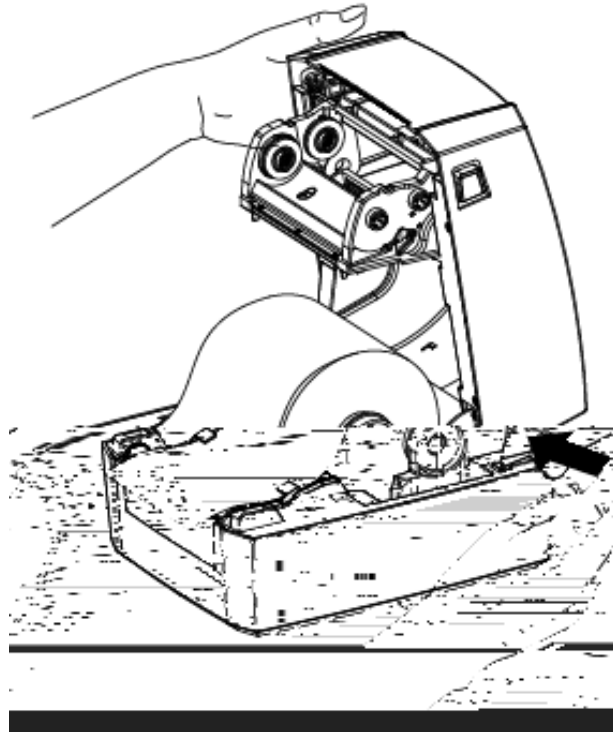
3.



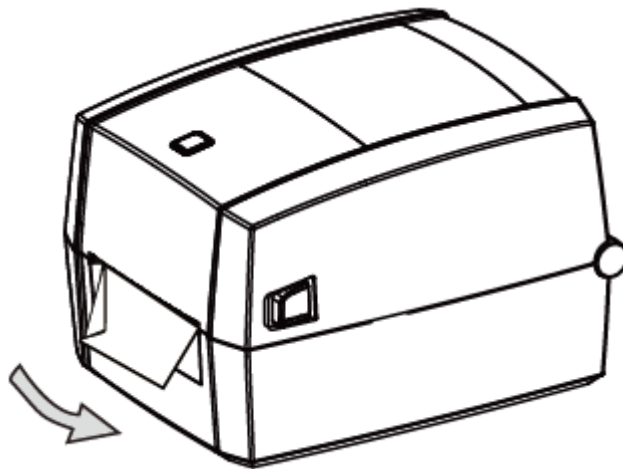
4.



5.

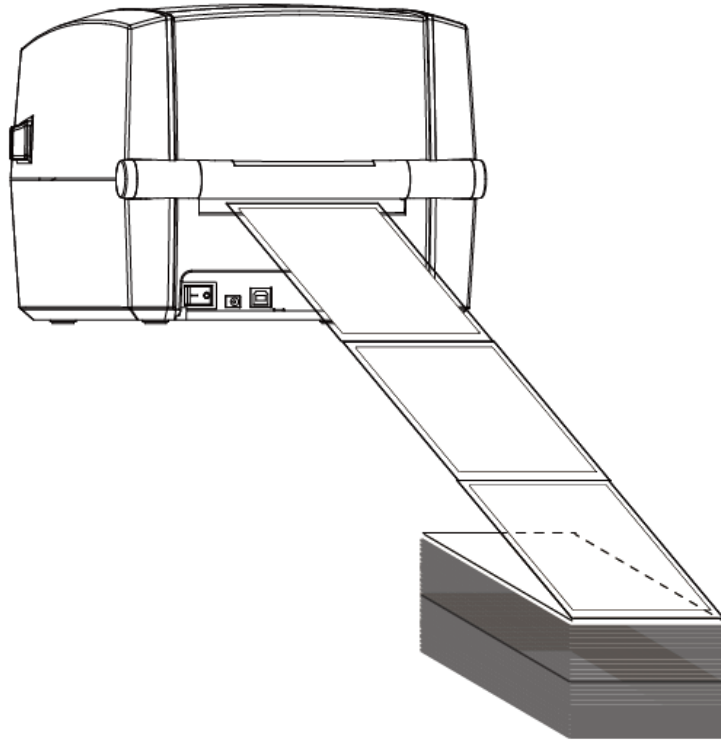


6.

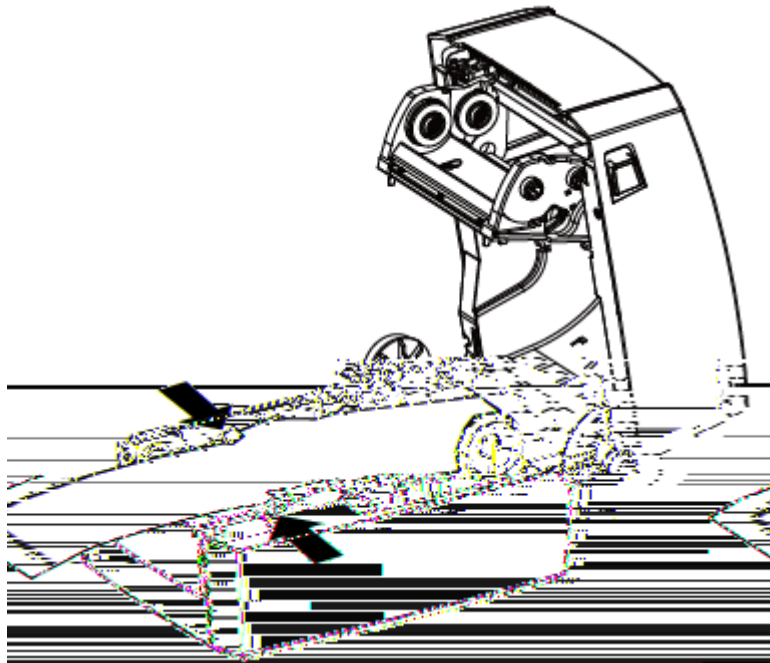


3.1.2

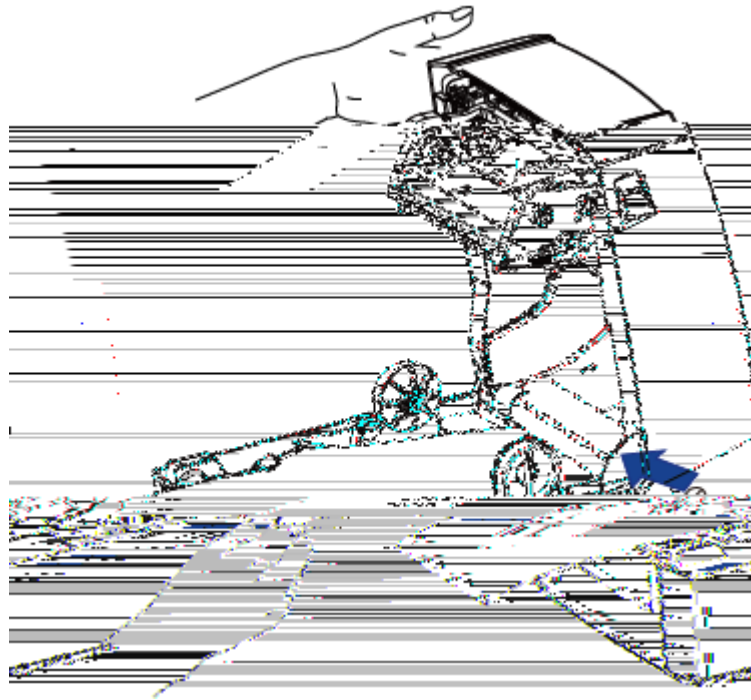
1.



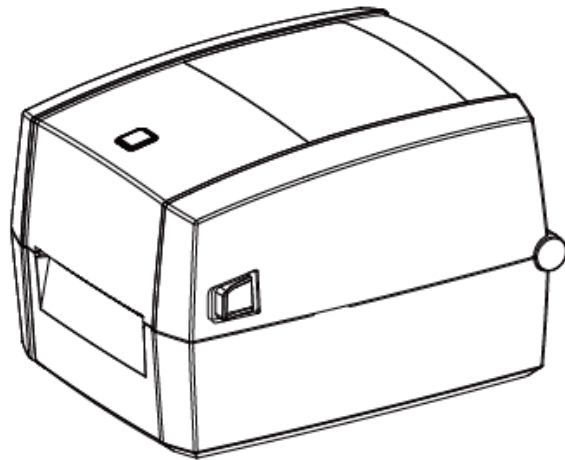
2.



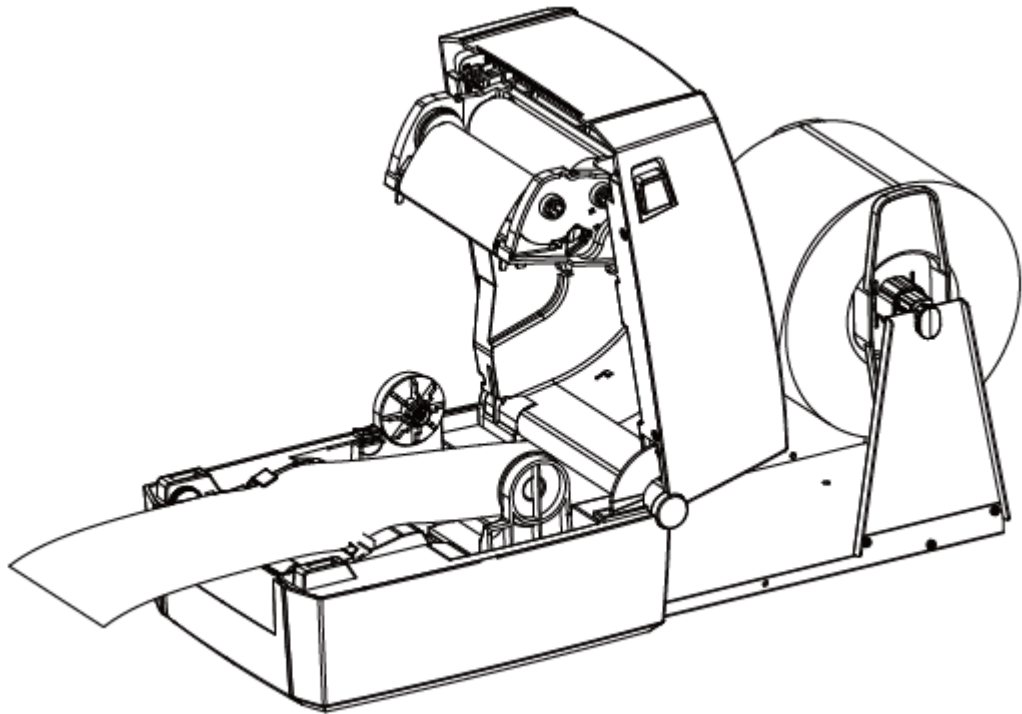
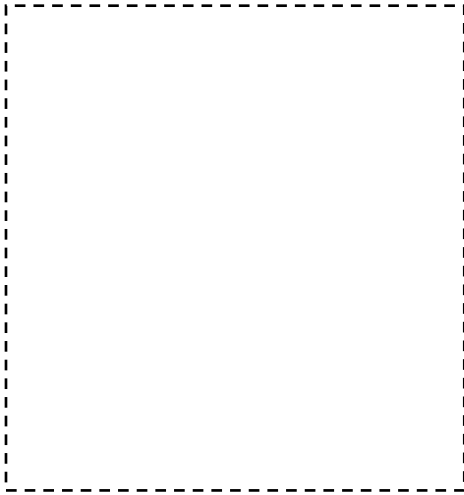
3.



4.

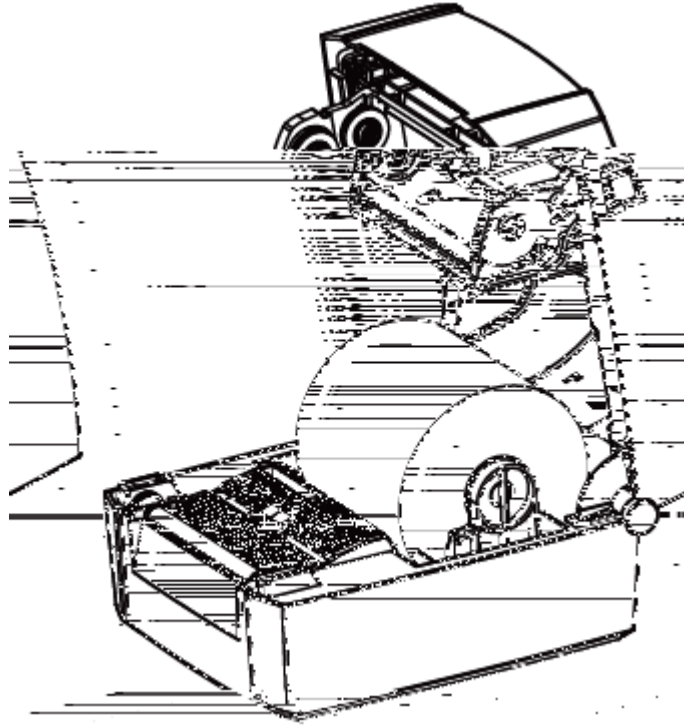


3.1.3

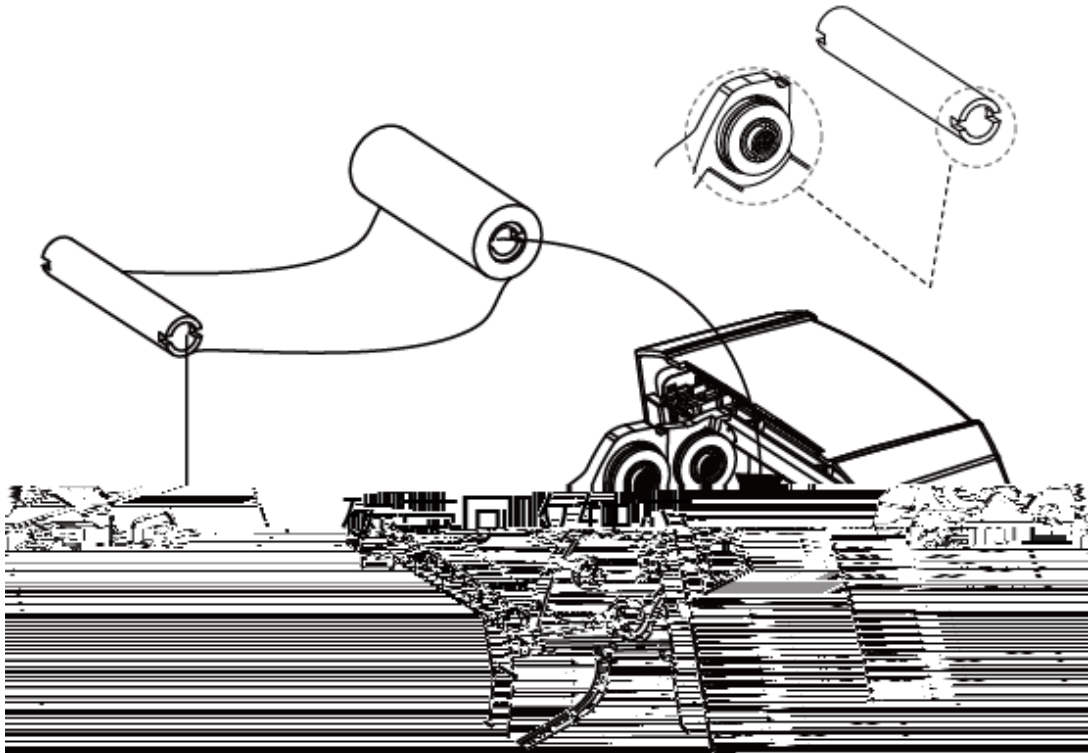


3.1.4 (DL-888T)

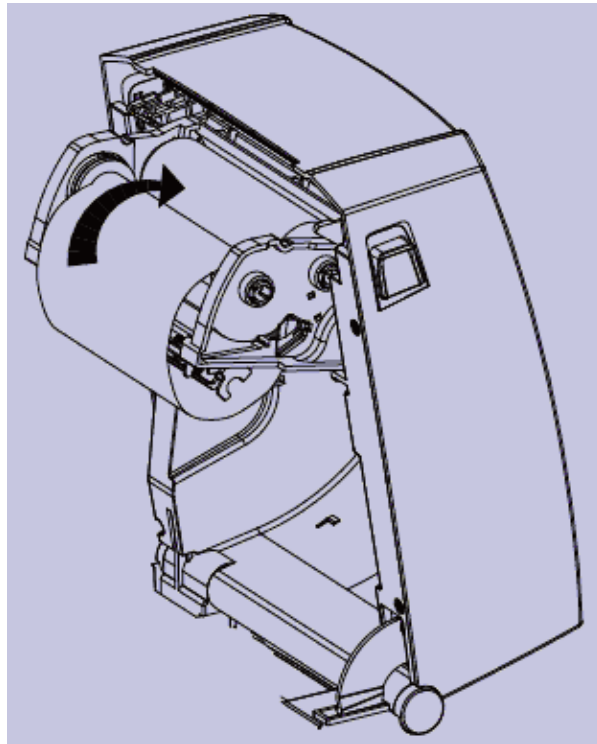
1.



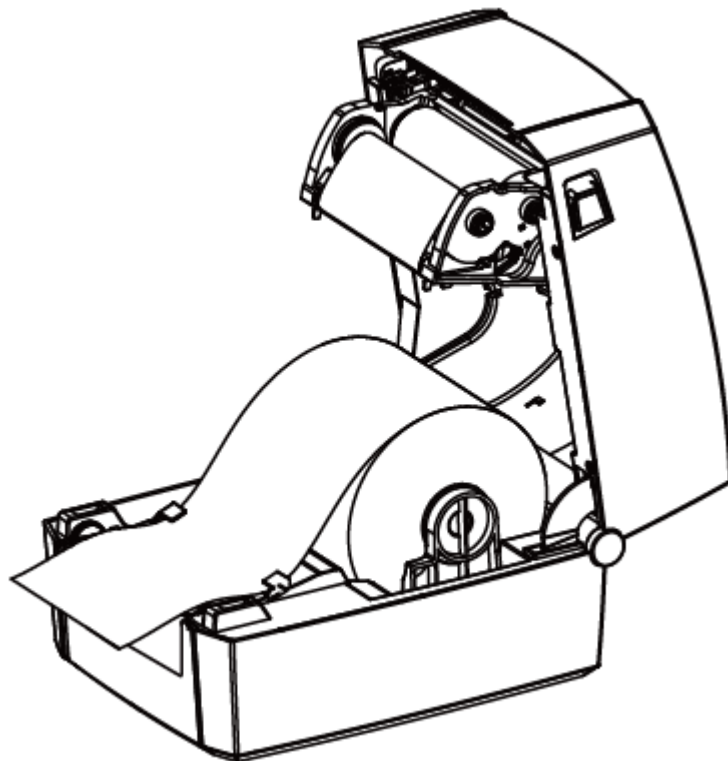
2.



3.

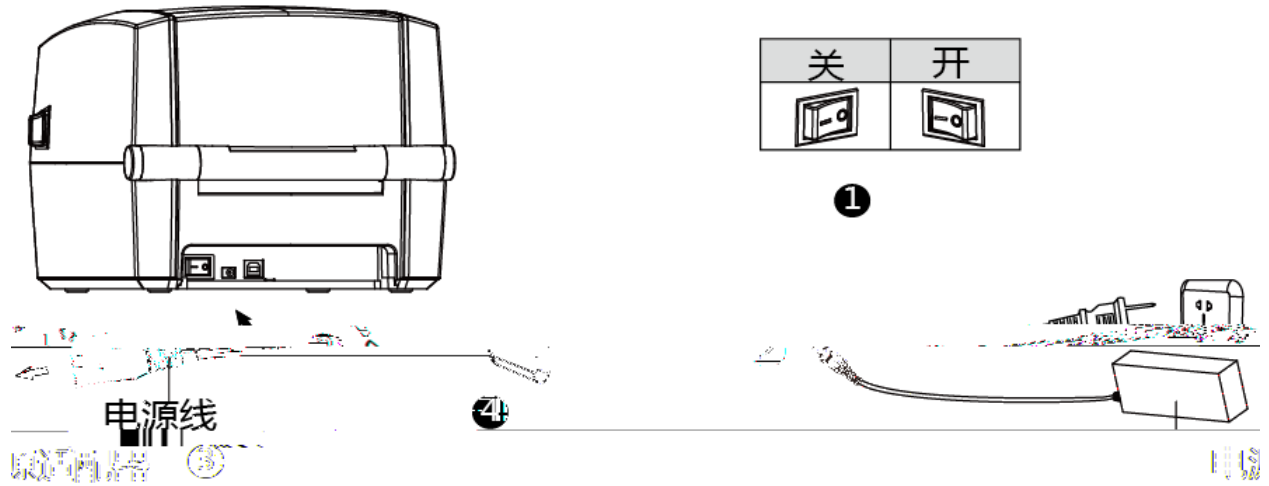


4.



3.2

1. (O)
- 2.
- 3.
- 4.



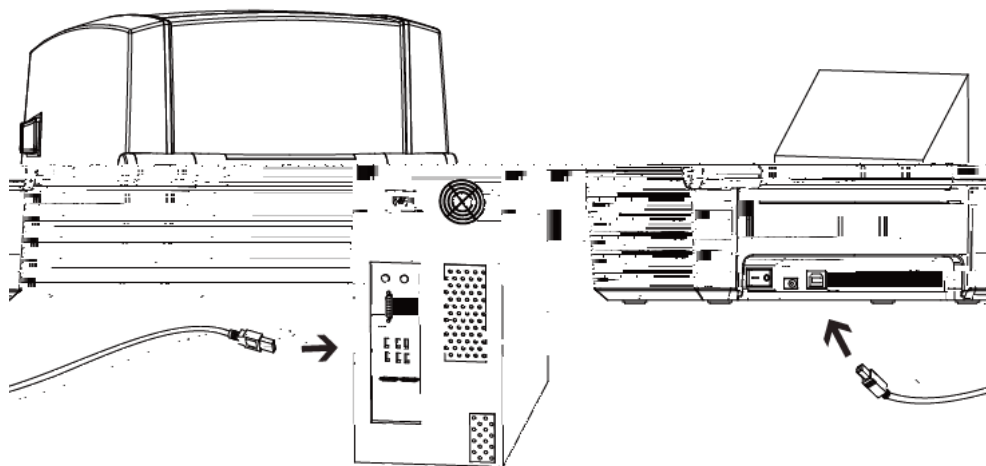
-
-
-

:

80mm

3.3

--USB B-Type

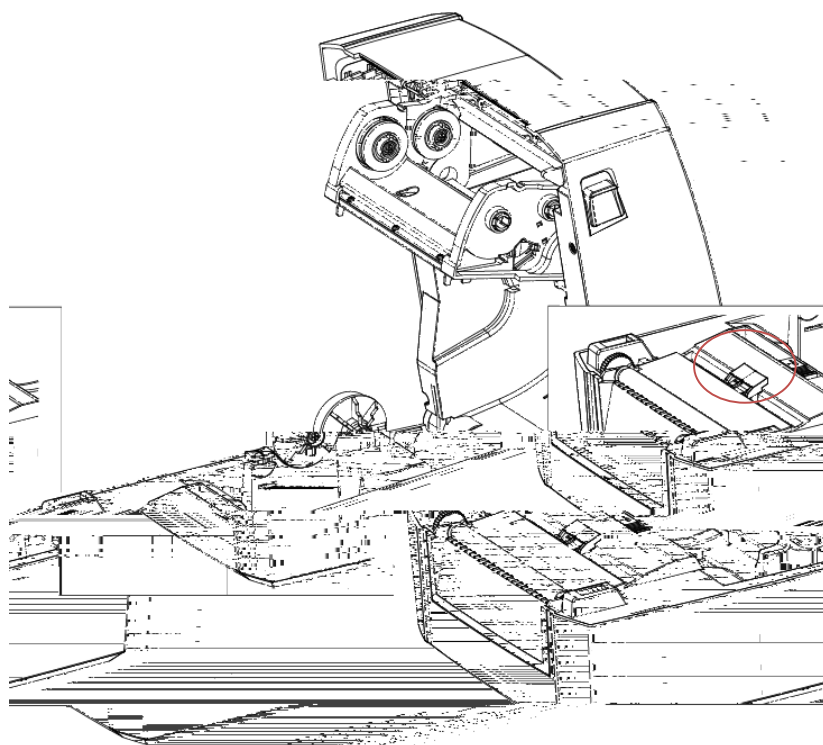


1 (O)

2)

-- USB USB B-Type

3.4



3.5

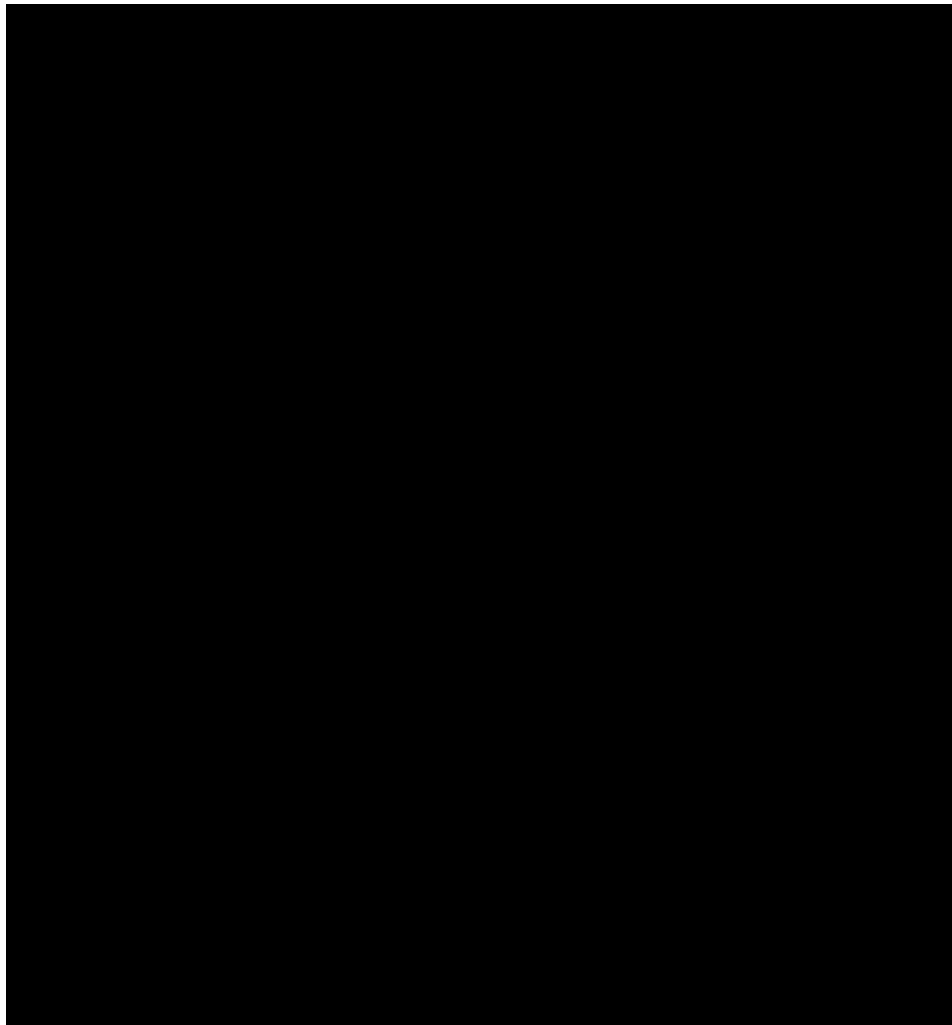
-

- 公

-

- 1.

- 2.



3.6

3.6.1 /

O 1

3.6.2

3.6.3

1)

2)

3)

1) Windows

Windows

2) Windows

3) Windows

3.6.4



1

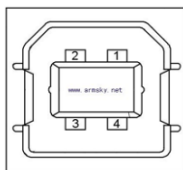
2

3

;



4



| 1 | VBUS |
|---|------|
| 2 | D- |
| 3 | D+ |
| 4 | GND |

5

1

2

2~3

3

4

5.1

1

2

1 2

5.2

1

2

3

4

1 2

1:

1

| | Pb | Hg | Cd | Cr VI | PBB | PBDE |
|--|----|----|----|-------|-----|------|
| | X | O | O | O | O | O |
| | X | O | O | O | O | O |
| | X | O | O | O | O | O |