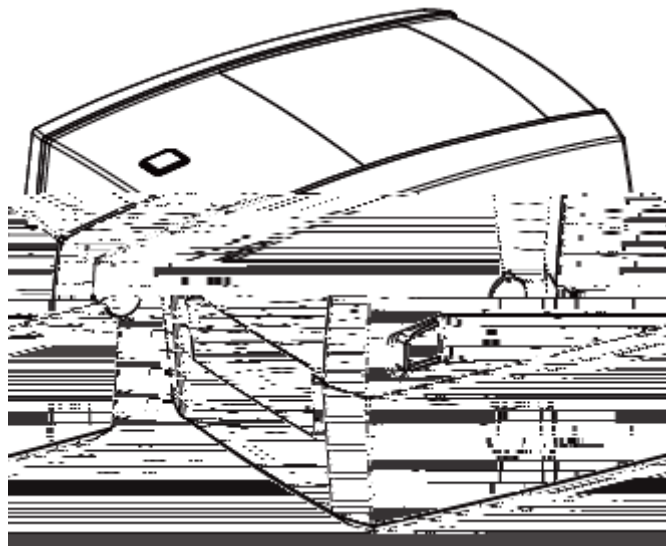


---

**DL-888D**

**DL-888T**



---

	.....	1
	.....	2
1	.....	2
2	.....	2
3	.....	3
4	.....	4
	.....	5
1	.....	8
1.1	.....	8
1.2	.....	9
1.3	.....	10
2	.....	11
3	.....	13
3.1	.....	13
3.1.1	.....	13
3.1.2	.....	16
3.1.3	.....	18
3.1.4	( DL-888T).....	19
3.2	.....	21
3.3	.....	22
3.4	.....	22
3.5	.....	23
3.6	.....	24
3.6.1	/ .....	24

---

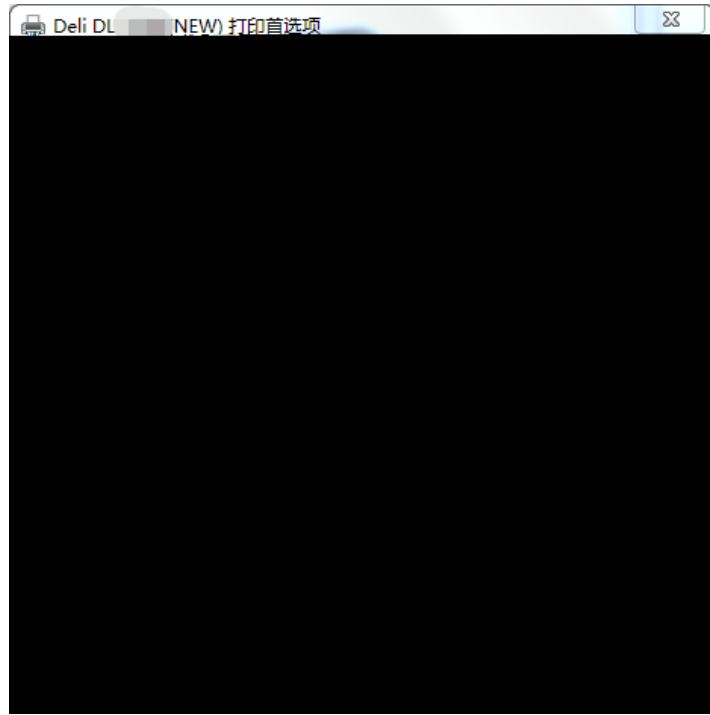
---

3.6.2	.....	24
3.6.3	.....	24
3.6.4	.....	25
3.6.5	.....	25
4	.....	28
1:	.....	29

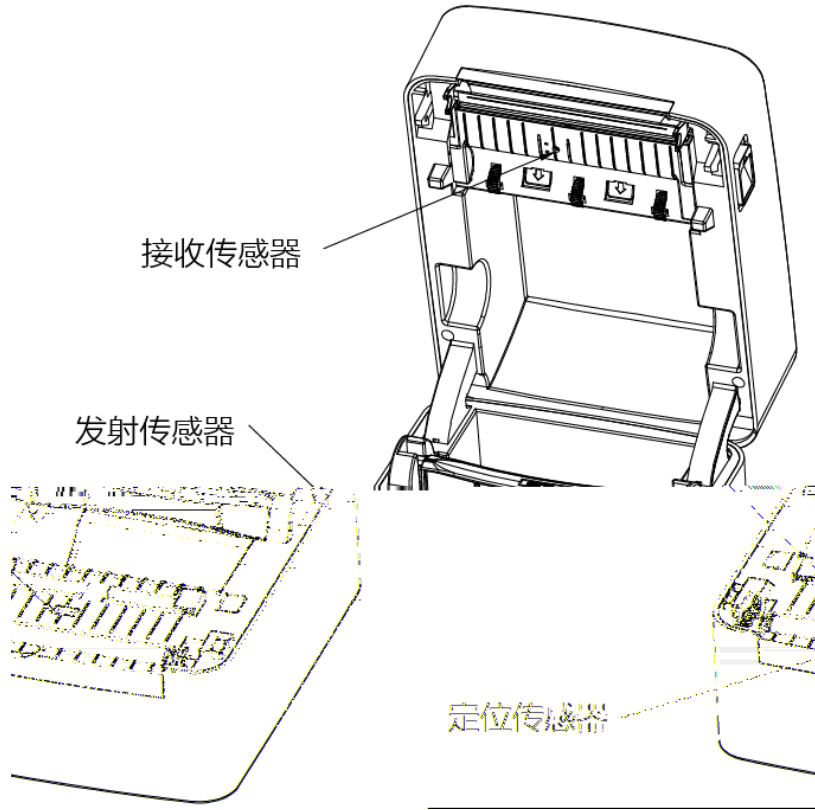
---

✖

1



2



3

1

2

2~3

3

4

1

2

1 2





1

2

3

4



5



1

2

3

4

5

6

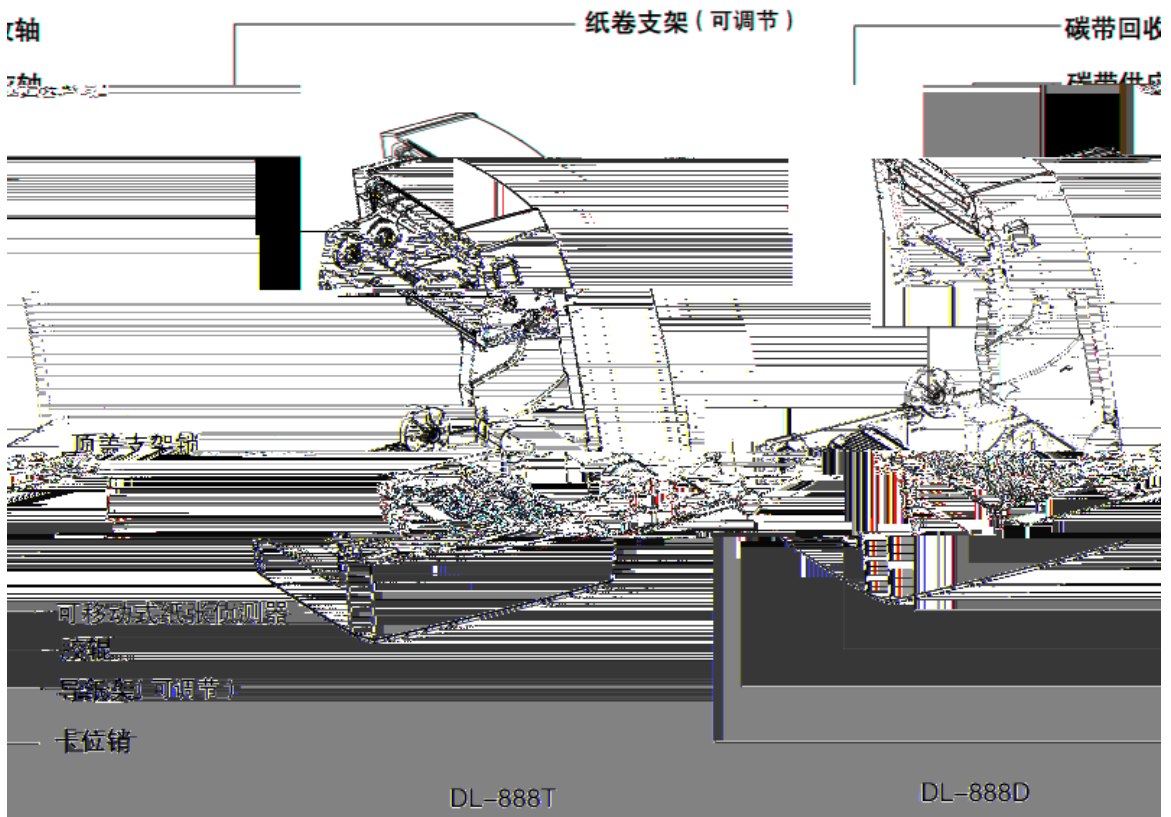
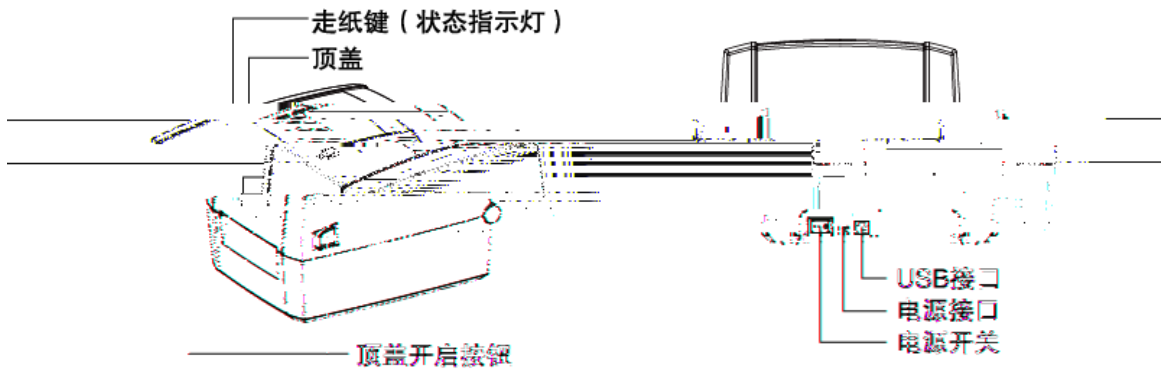
- 
- 
- 
- 
-

- 
- 
- 
- 

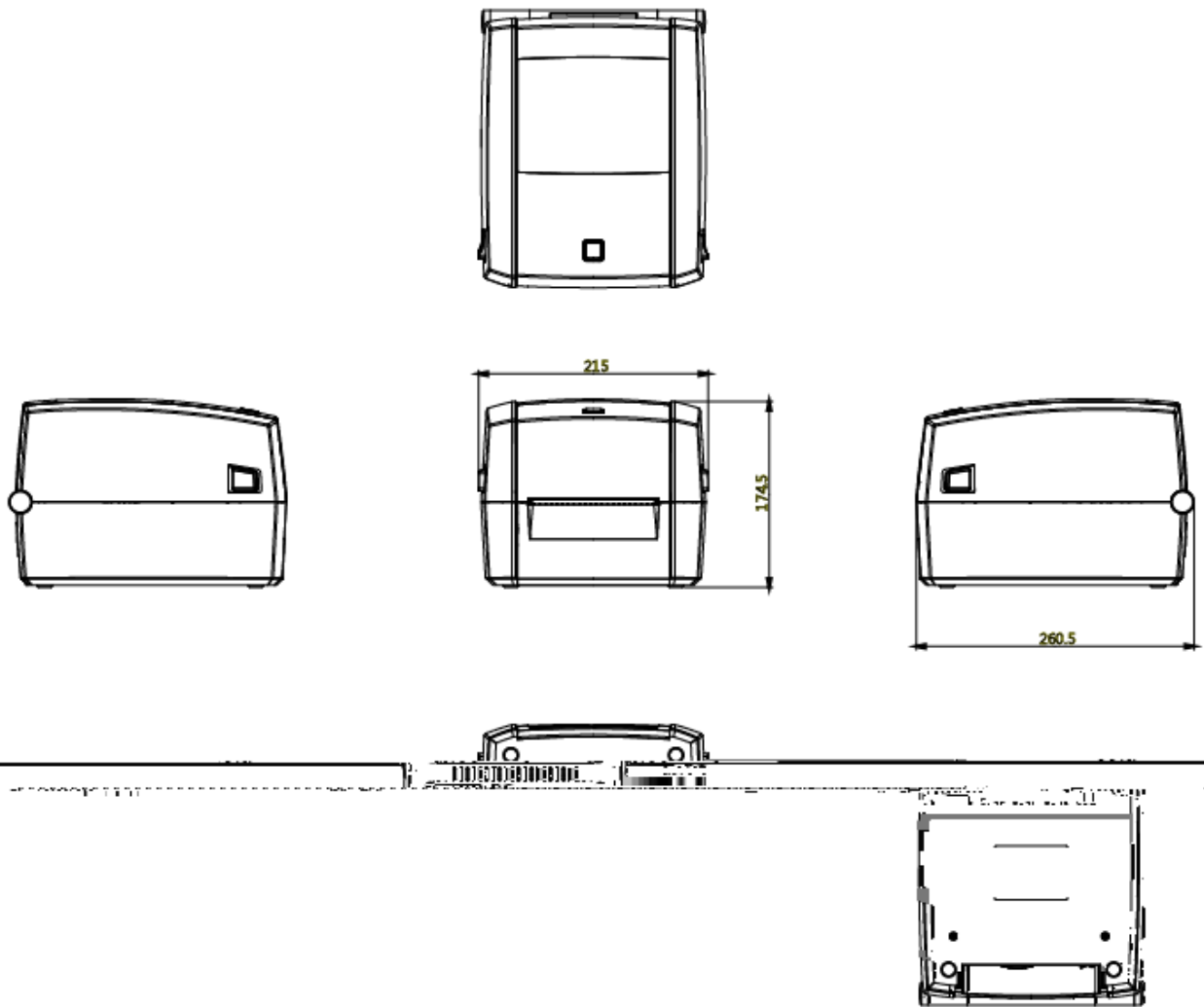




# 1.2



1.3



## 2

(2/1)

		/
		203 / (8 / )
		102 /
		108
		15 - 300
		32 RISC CPU
	RAM	2MB
		2MB
		, , , ,
		,
		1.38 (35 ) 4.65 (118 )
		0.003 (76.2 ) 0.007 (177.8 )
		5 (127 )
		0.5 (12.7 ),1 (25.4 ),1.5 (38.1 )

DL-888T

(2/2)

	CCC,FCC,CE

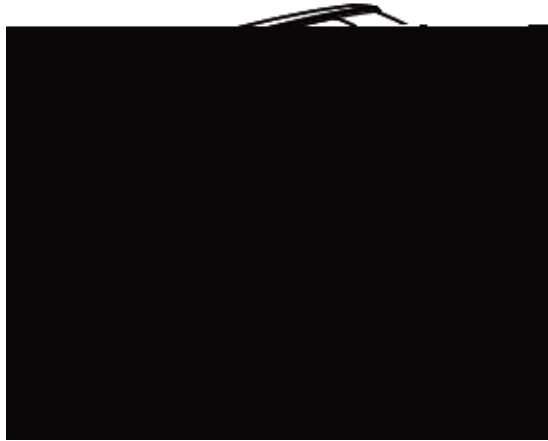
# 3

## 3.1

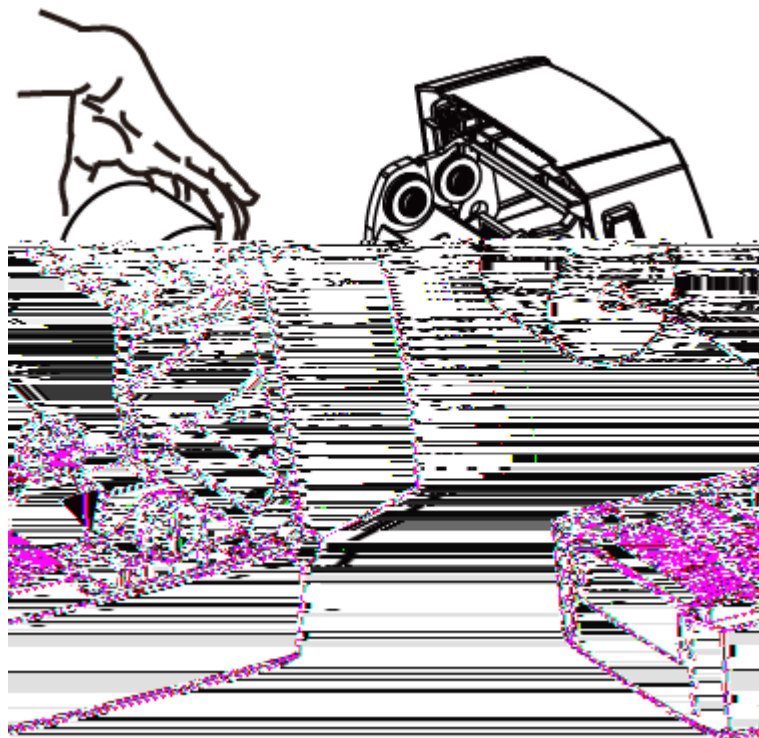
DL-888D

### 3.1.1

1.



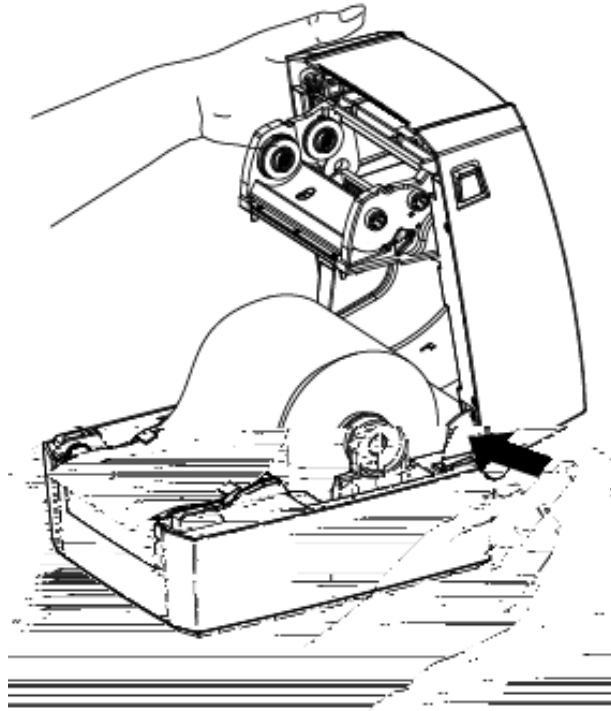
2.



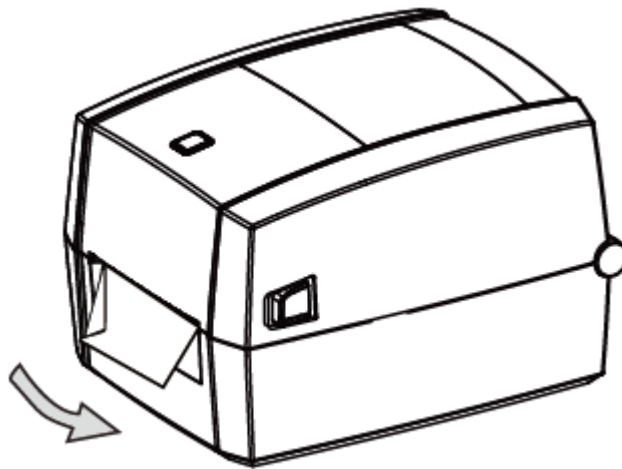




5.

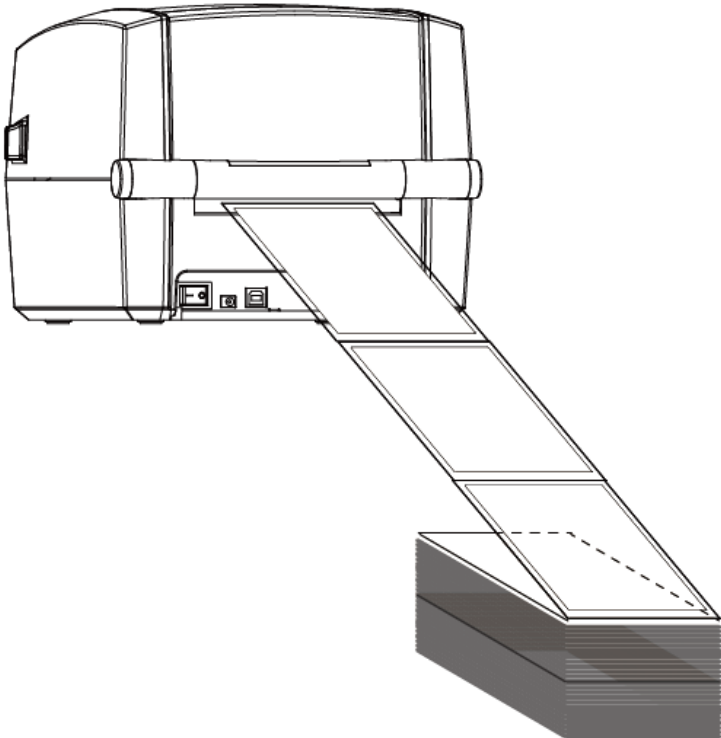


6.

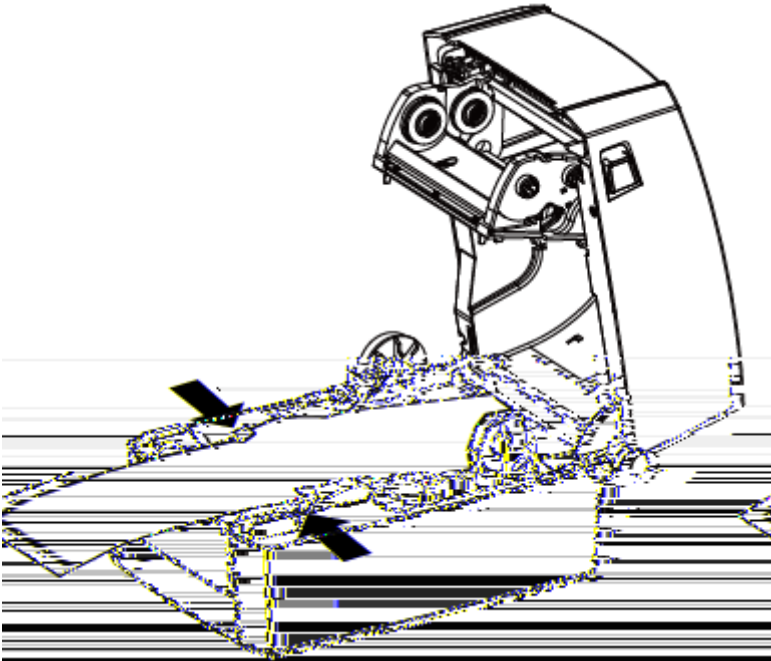


3.1.2

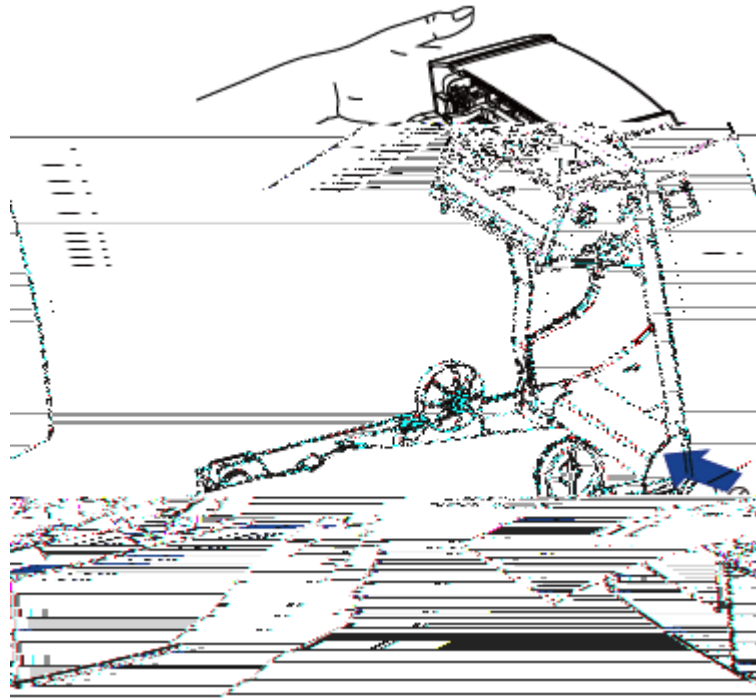
1.



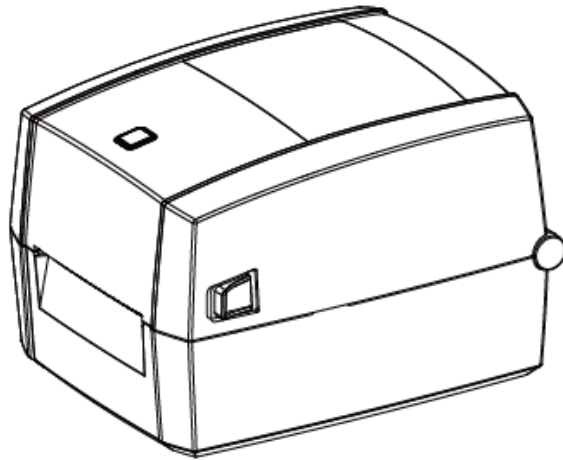
2.



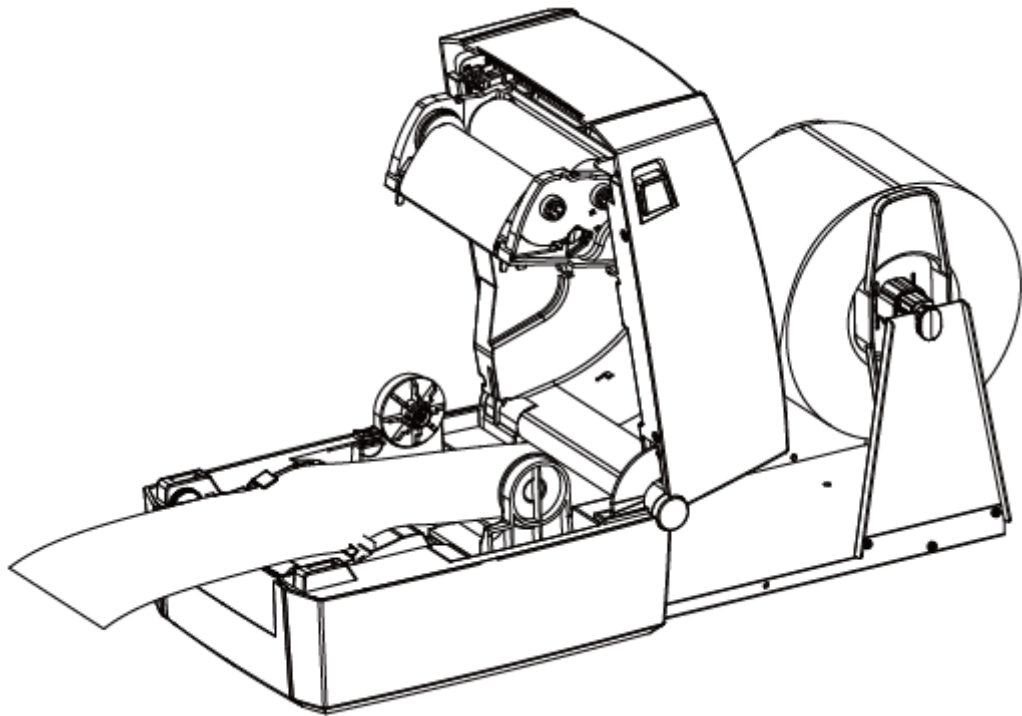
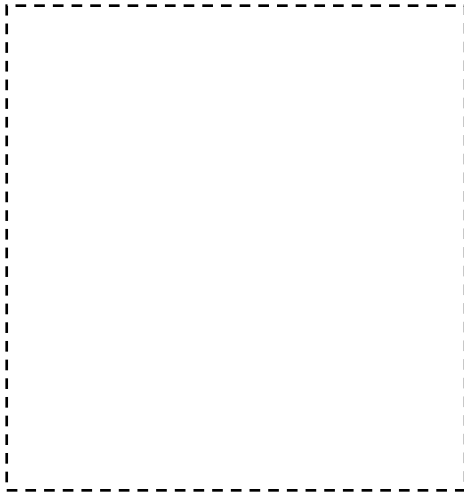
3.



4.

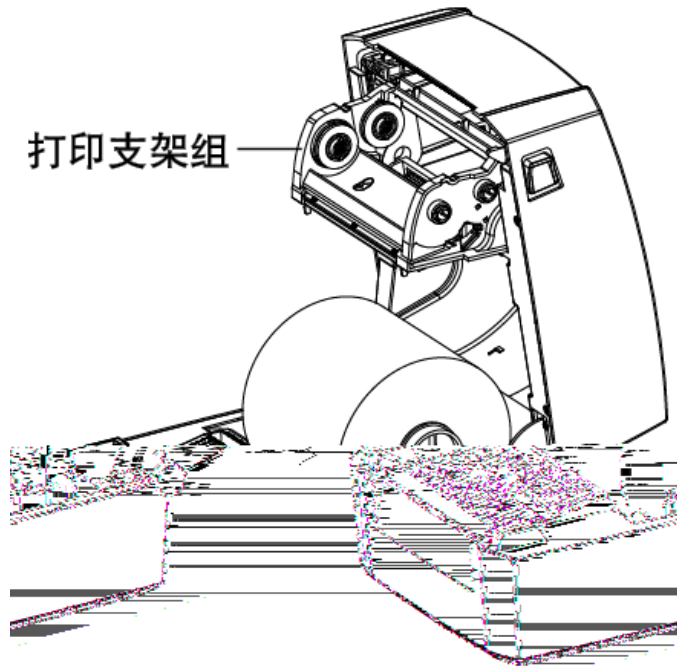


### 3.1.3

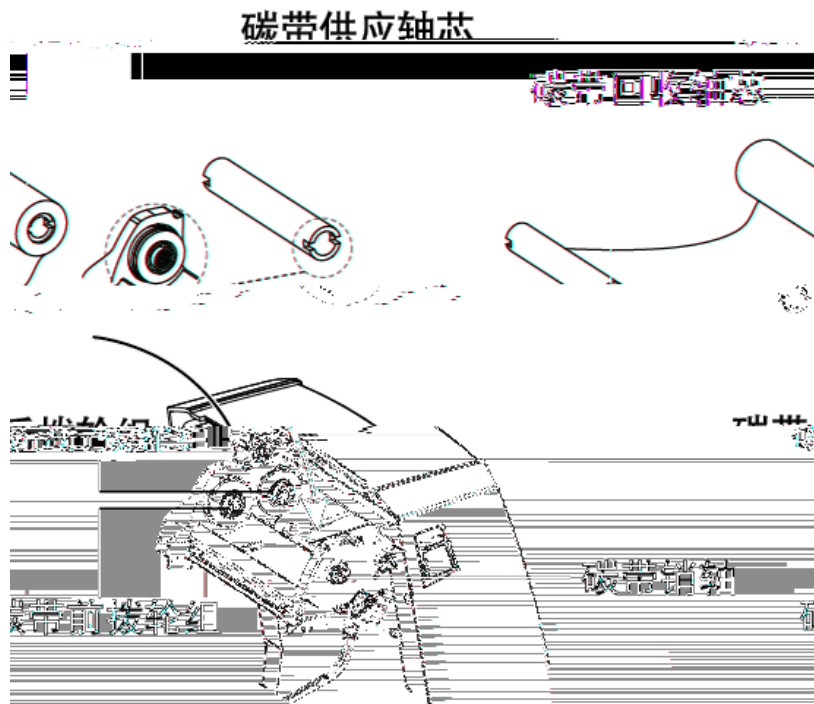


### 3.1.4 ( DL-888T)

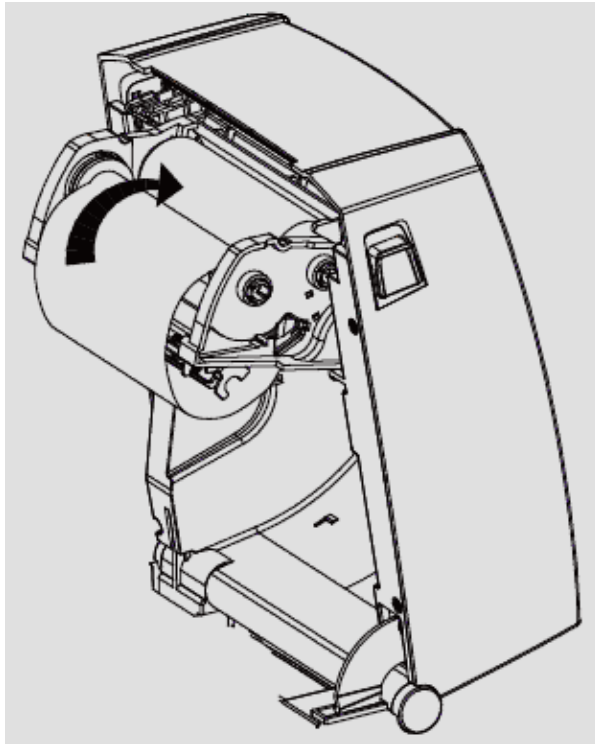
1.



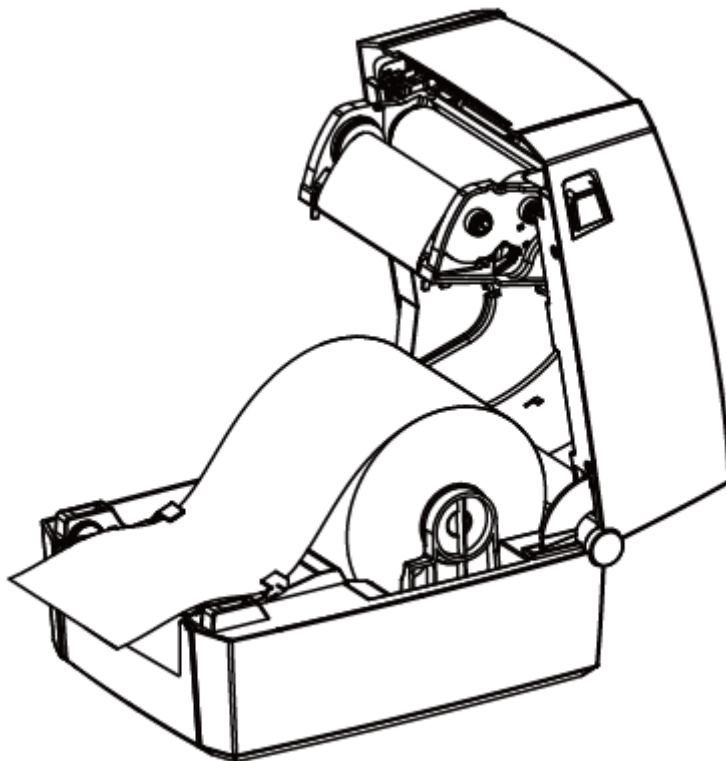
2.



3.

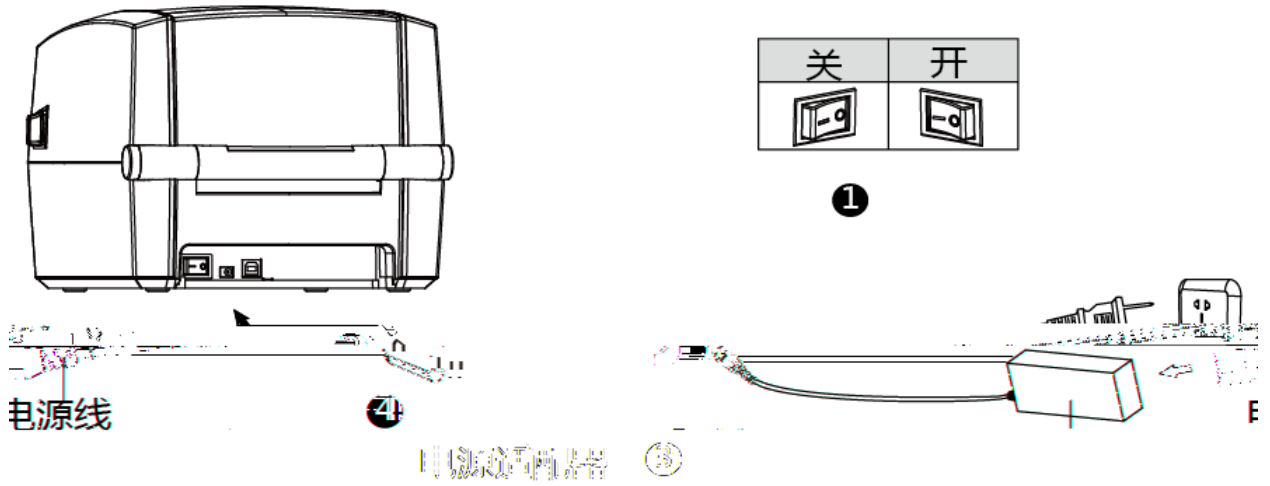


4.



### 3.2

1. (O)
- 2.
- 3.
- 4.



- 
- 
- 

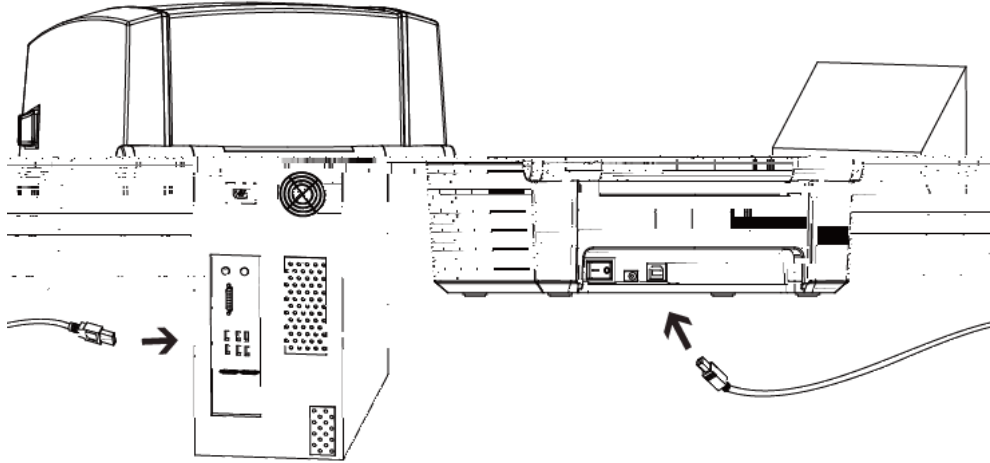
:

80mm



### 3.3

--USB B-Type

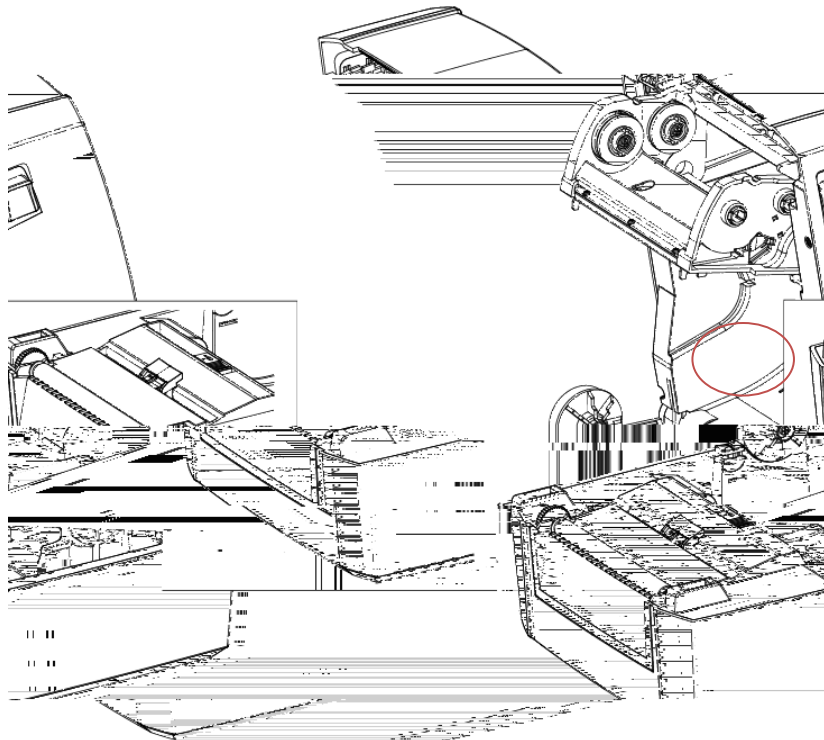


1 (O)

2)

-- USB USB B-Type

### 3.4



### 3.5

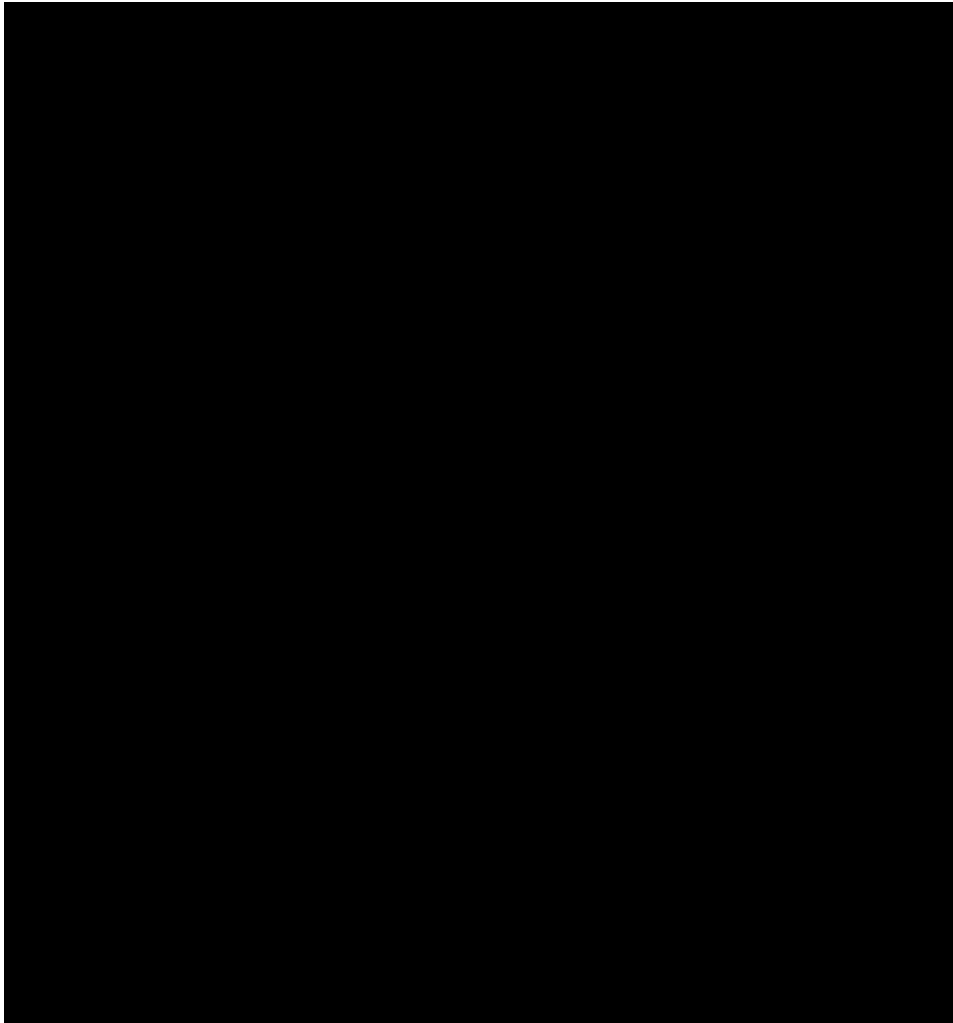
- 

- 

- 

- 1.

- 2.



**3.6**

**3.6.1** /

O 1

**3.6.2**

**3.6.3**

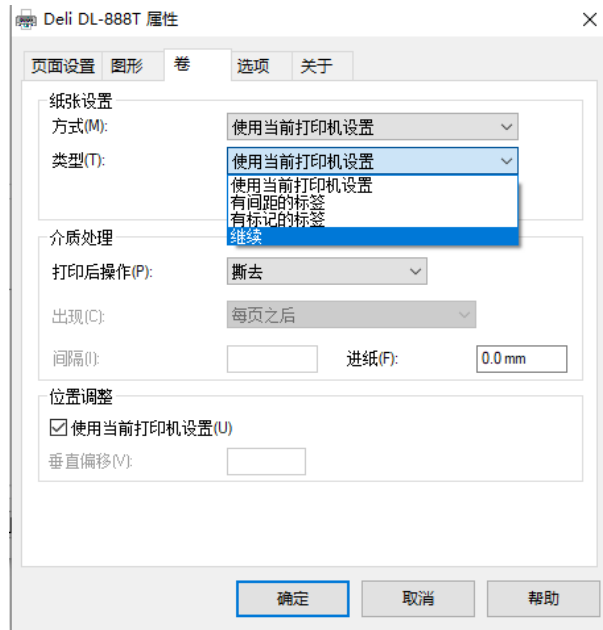
- 1)
- 2)
- 3)

- 1) Windows  
Windows
- 2) Windows
- 3) Windows

### 3.6.4



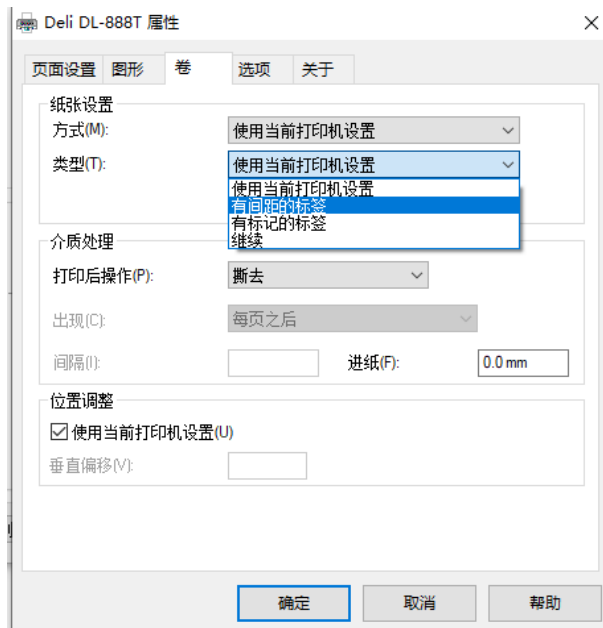
58mm 80mm



BarTender

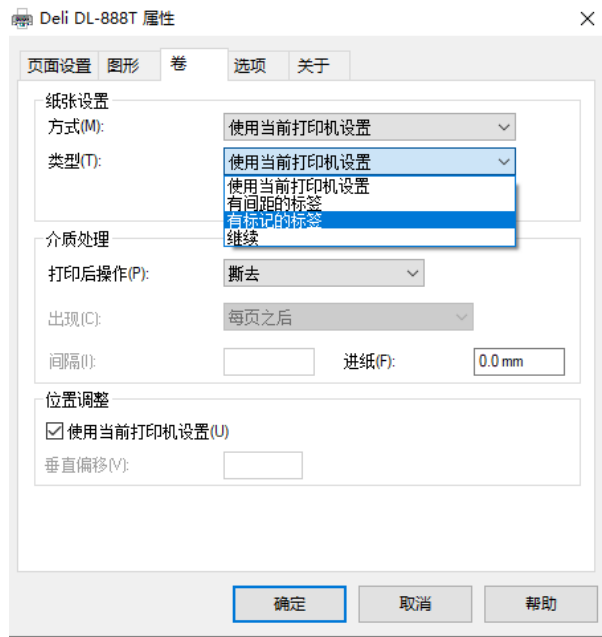
2

2mm 3mm



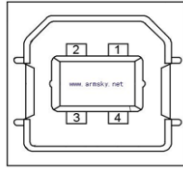
BarTender

3



BarTender

## 4



1	VBUS
2	D-
3	D+
4	GND

**1:**

1

--	--

Pb

Hg

Cd

Cr VI