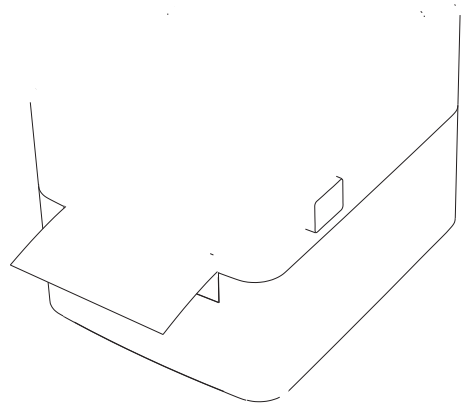


使用说明

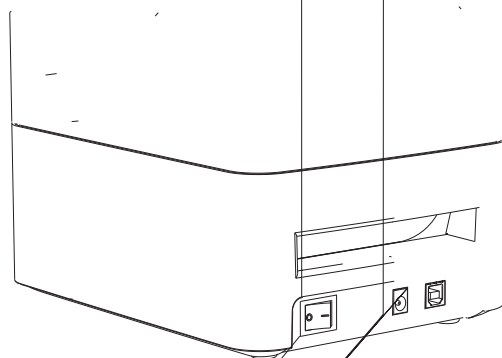


上盖



1. 确认打印机电源开关处于关闭（O）状态。
2. 将电源线连接到打印机。
3. 将电源线另一端连接到附近的插座。

1





1、产品中有害物质的名称及含量：

Handwritten scribbles and marks, possibly including the letters "av" and some illegible characters.

Horizontal line with a small tick mark on the left end.

Horizontal line with a small tick mark on the right end.

Horizontal line with a small tick mark on the right end.

Diagonal line with several small tick marks along its length.

合格证
